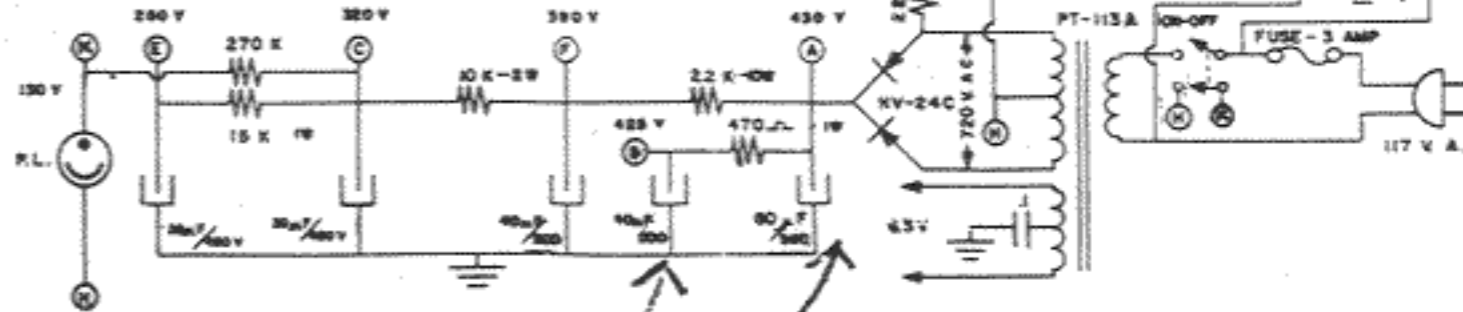


NOTE: D.C. VOLTAGE READINGS WITH NO SIGNAL INSERTED. * Module TM-1 factory replacement only. PATENT PENDING
 NOTE: Voltage reading with 20,000- Ω /ohm meter. ** Factory adjusted to give 80ma of plate current for both V1 & V2.



MODEL NO. G-15 GEMINI II
 Tube Location
 7591 7591 7199 12AX7 12AX7 6CG7 12AX7
 4010030



the B to a